



SOUND REINFORCEMENT SUBWOOFER

APPLICATIONS

- Conference rooms
- School and corporate audio visual sound reinforcement
- Background music
- Houses of worship
- Gymnasiums and small/medium sports arenas
- Bars, pubs and nightclubs
- Live music reinforcement
- Entertainment systems

FEATURES

- Bass-reflex design subwoofer
- 18" high excursion woofer with 3" voice coil
- 2 x Neutrik Speakon connectors
- External digital processor required
- 0,70" birch plywood scratch resistant enclosure
- M20 top mount speaker stand socket
- Two aluminum ergonomic FBT handles



PRODUCT DESCRIPTION

The FBT SUBLINE 118S is an extremely compact bass-reflex design subwoofer with high SPL and punch. The FBT SUBLINE 118S feature 0,70" birch plywood construction covered in a scratch resistant black paint with two aluminum carrying handles; an M20 top mounted stand adapter allows satellite speakers, such as the FBT speaker series and others, to be placed above the subwoofer cab. The FBT SUBLINE 118S features a 18" high excursion magnet woofer with 3" voice coil. The FBT SUBLINE 118S is able to produce a max SPL of 136dB and handles 1200W RMS. The control panel features 2 x Neutrik Speakon NL4MD-V connectors. External digital processor required: FBT DLM26 Digital Loudspeaker Management.

ELECTRICAL PERFORMANCE

System type:	1way reflex
Recommended amplifier:	1200W RMS
Long term power:	600W
Short term power IEC268-5:	2400W
Nominal impedance:	4 Ohm
Low frequency woofer:	1 x 18" / 3" coil
Frequency response @-6dB:	33Hz - 400Hz
Sensitivity @1W/1mt:	98,5dB
Max. SPL cont/peak:*	133 / 136dB
Dispersion:	omnidirectional
Recommended ext. DSP:	FBT DLM26
Recommended HP filter:	28Hz - 24dB oct.

PHYSICAL

Input connectors:	2 x Neutrik Speakon
Net dimensions (WxHxD):	21,85 x 22,51 x 26,22 inch
Shipping dimensions (WxHxD):	31,49 x 29,92 x 27,55 inch with pallet
Net weight:	92,59 lbs
Shipping weight:	114,64 lbs
Enclosure material:	birch plywood

ACCESSORIES

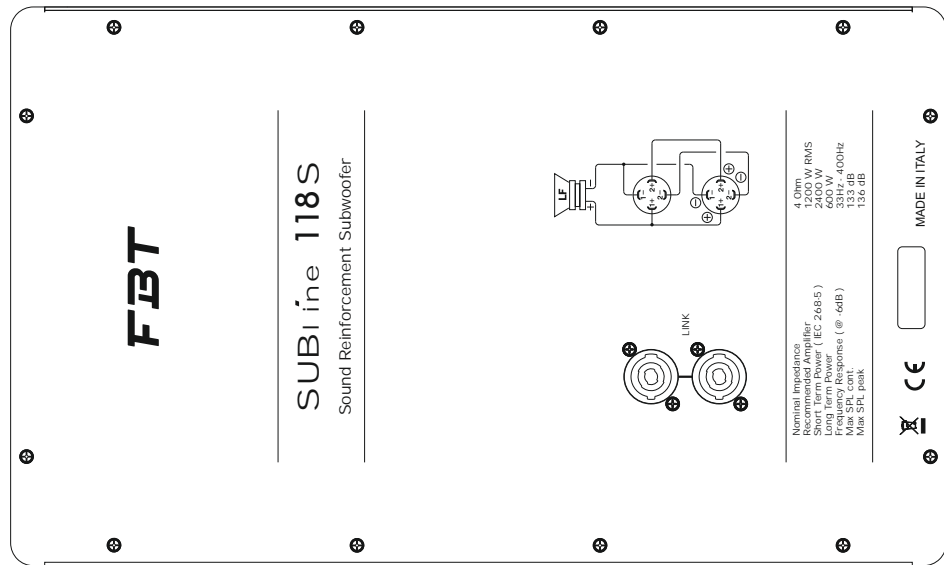
SL-C 118	Nylon cover
SL-CH 118	Nylon cover with wheels
MSA 220BK	M20 pole mount sub-satellite Ø 1,37" - 1,64" (35 - 41,7mm) H 27,55" - 47,24" (70 - 120cm) Max. load 132,27lb (60kg)
KBW-1004S	4 x wheels kit: 2 with brake Ø 3,93"

* CONT. SPL: half space, based on continuous power amp rating and LF transducer average sensitivity data, 125mS time average
PEAK SPL: half space, based on max peak power amp rating and system peak sensitivity, 10mS time average

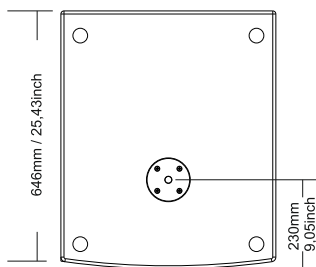
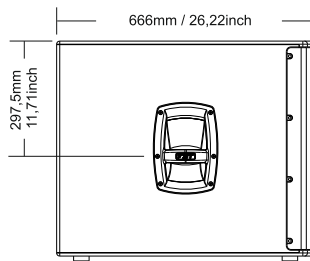
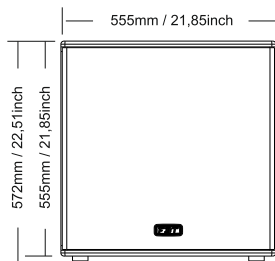


SUBLine 118S

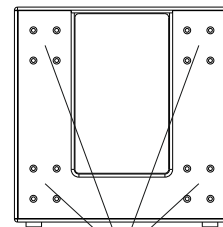
CONTROL PANEL



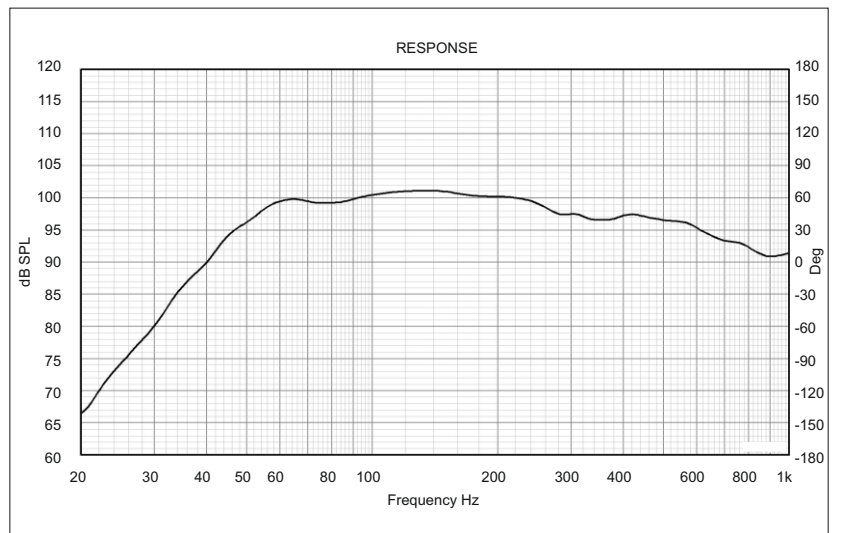
DIMENSIONAL DRAWING



ONLY FOR GROUND STACK CONFIGURATION



RUOTE OPZIONALI
OPTIONAL WHEELS



FBT products are continually improved. All specifications are therefore subject to change without notice.